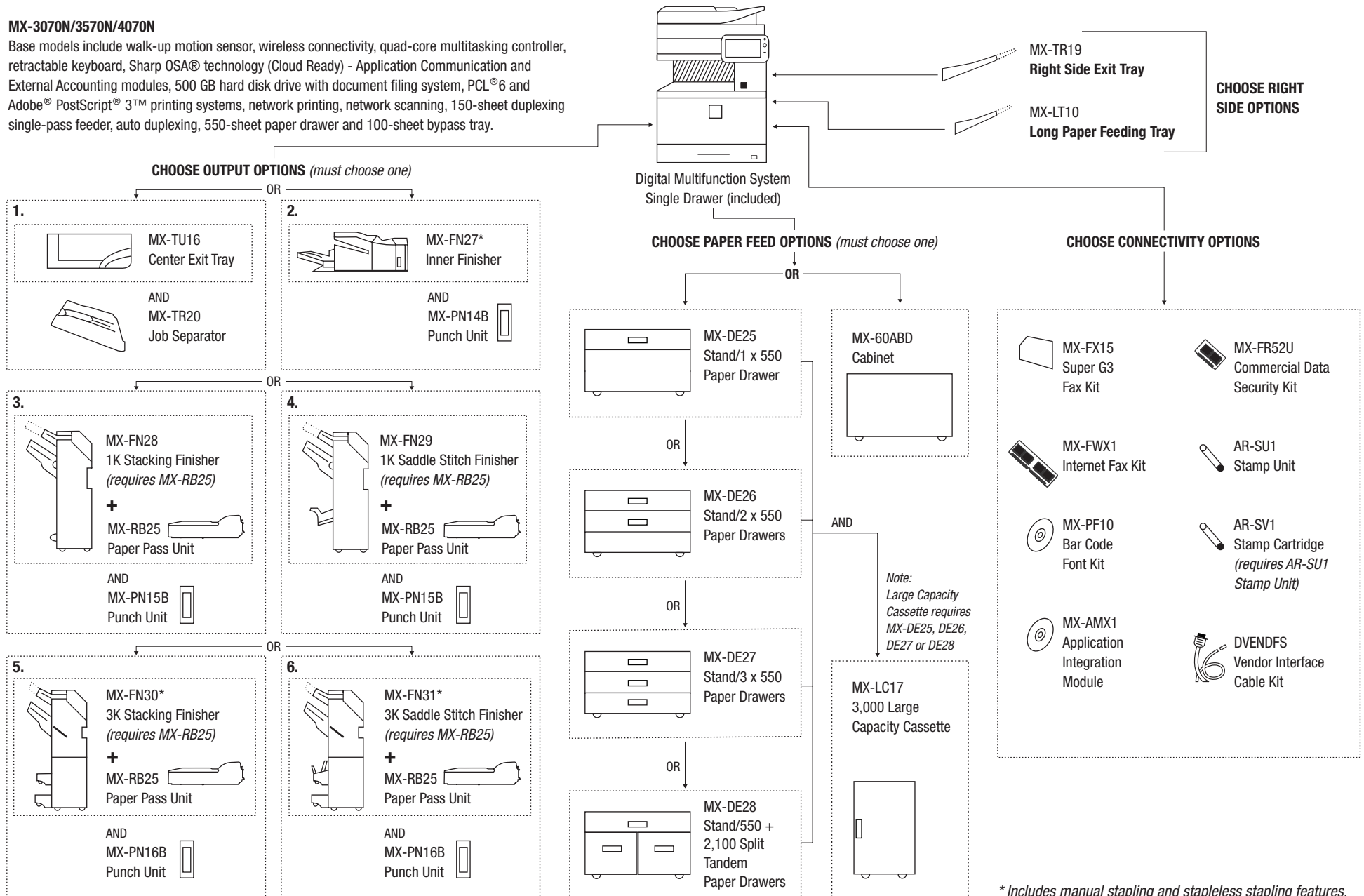


### PRODUCT CONFIGURATION

#### MX-3070N/3570N/4070N

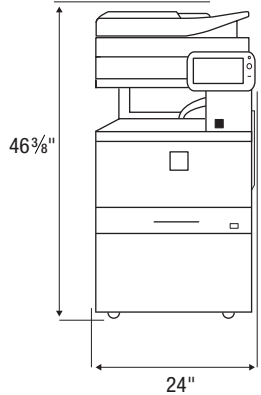
Base models include walk-up motion sensor, wireless connectivity, quad-core multitasking controller, retractable keyboard, Sharp OSA® technology (Cloud Ready) - Application Communication and External Accounting modules, 500 GB hard disk drive with document filing system, PCL®6 and Adobe® PostScript® 3™ printing systems, network printing, network scanning, 150-sheet duplexing single-pass feeder, auto duplexing, 550-sheet paper drawer and 100-sheet bypass tray.



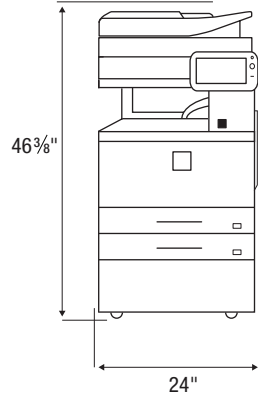
\* Includes manual stapling and stapleless stapling features.

### SPACE REQUIREMENTS AND PLANNING

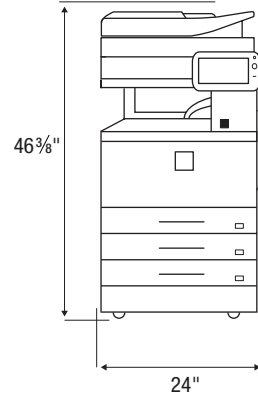
**Main Unit + MX-TU16**  
(standard drawer plus cabinet)  
650-sheet maximum



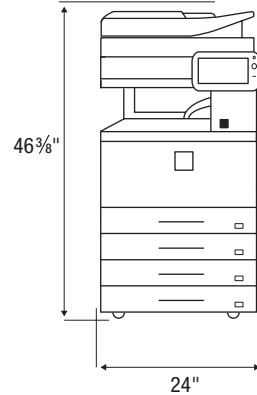
**Main Unit + MX-TU16 + MX-DE25**  
(1 additional drawer)  
1,200-sheet maximum



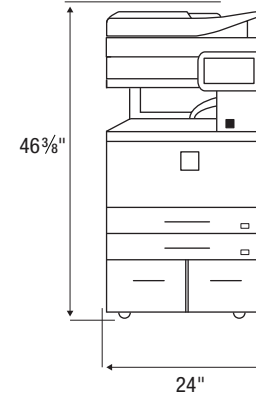
**Main Unit + MX-TU16 + MX-DE26**  
(2 additional drawers)  
1,750-sheet maximum



**Main Unit + MX-TU16 + MX-DE27**  
(3 additional drawers)  
2,300-sheet maximum



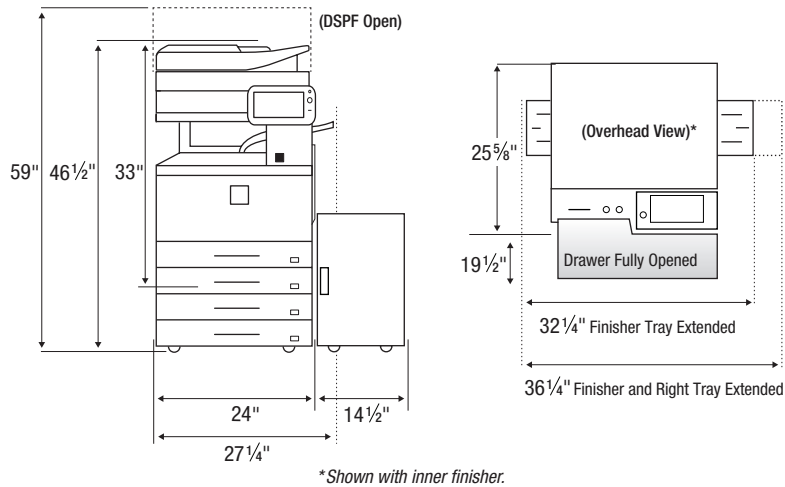
**Main Unit + MX-TU16 + MX-DE28**  
(1 additional drawer + 1 split tandem drawers)  
3,300-sheet maximum



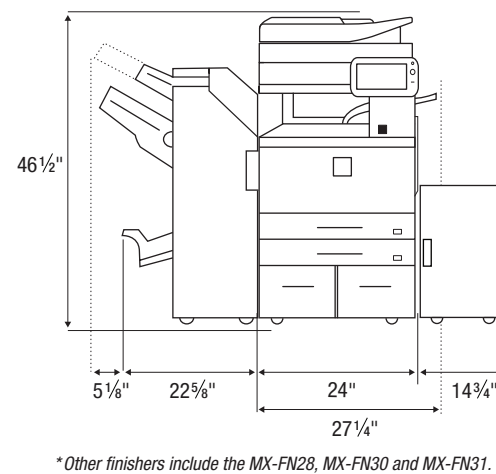
**Plan ahead to ensure your installation is a great success! Check the latest information on these products and have the following items available prior to installation.**

- Verify power dedication and check for power stability. The MX-3070N/3570N/4070N Document Systems require AC 100-127 VAC, 60 HZ power source, draw 12 Amp current (requires 15 Amp circuit breaker).
- Confirm that you have the latest firmware available to upgrade your MX-3070N/3570N/4070N Document Systems.
- Some accessories require a product key for operation. You should obtain the accessory Application Code Number, machine's serial number and register online prior to arrival.
- Verify that the customer has enough supplies on-hand to complete a large rush job. After-hours printing and/or holiday work may take place following an installation.

**1 Main Unit + MX-TU16 + MX-DE27 + MX-LC17 (5,300-sheet maximum)**



**2 Main Unit + MX-RB25 + MX-FN29 + MX-DE27 + MX-LC17 (6,300-sheet maximum)**



- MX-60NTBA** Black Toner
- MX-60NTCA** Cyan Toner
- MX-60NTMA** Magenta Toner
- MX-60NTYA** Yellow Toner
- MX-60NVBA** Black Developer
- MX-60NVSA** Cyan/Magenta/Yellow Developer
- MX-60NRSA** Drum
- MX-607HB** Toner Collection Container

**SHARP**™ Check to see if My Sharp™ online training is set up for the end-user.